

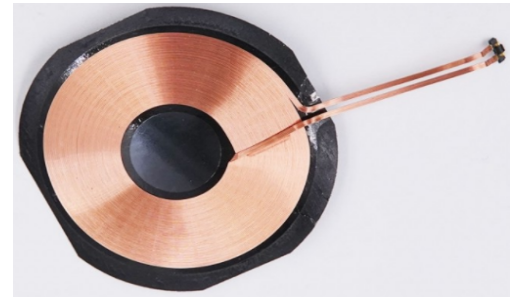
## Wireless Power Charging Coil - R

### ■ Features

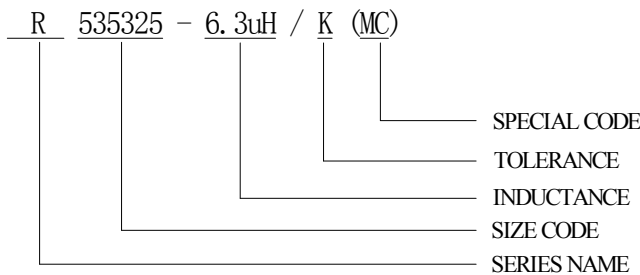
1. Size, shape, characteristics customized
2. Low profile

### ■ Applications

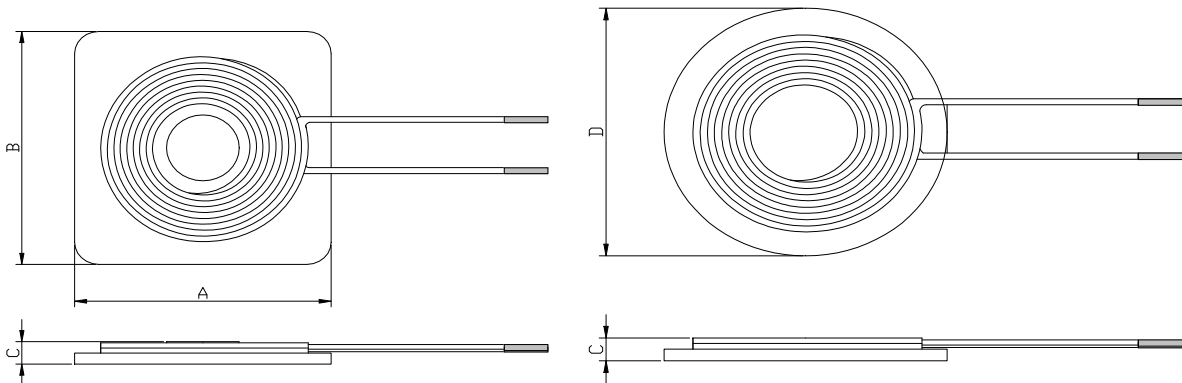
Using for transmitter and receiver module of tablet PC, portable electronics device such as mobile phones, and DSCs, etc



### ■ Part Numbering System



### ■ Dimensions and Construction



Dimensions in mm

Type	Applications	A	B	C(Max)	D
R535325-6.3uH/K	Tx	53	53	5.5	/
R535325-6.3uH/K(MC)	Tx	53	53	5.5	/
RD5010-6.3uH/K	Tx	/	/	4	Ø50
R535325-24uH/K	Tx	53	53	5.5	/
R535325-24uH/K(MC)	Tx	53	53	5.5	/
RD5010-24uH/K	Tx	/	/	4	Ø50
R535315-10uH/K	Tx	53	53	5	/
R535315-8.9uH/K	Tx	53	53	5	/
R1065325-12.5uH/K	Tx(3 Coil)	130	54.7	8	/
R1005510-8.5uH/K	Tx(3 Coil)	100	55	4.5	/
R945208-11.5uH/K	Tx(3 Coil)	108	52	5	/
R483206-12uH/K	Rx	48	32	1.4	/
R404008-8uH/K	Rx	40	40.0	2	/

### ■ Electrical Characteristics

- (1) Operating Temperature Ranges: -25~105°C.
- (2) Isat: DC current at which the inductance drops approximate 10% from its value without current;
- (3) Irms: DC current that causes the temperature rise ( $\Delta T \approx 40^\circ\text{C}$ ) from 25°C ambient.

■ Electrical Parameters

Type	WPC-Qi	L(uH)@ 125kHz/10m A	I <sub>rms</sub> .(A)	I <sub>sat</sub> .(A)	The input voltage(V)
R535325-6.3uH/K	A5	6.3	13	16	5
R535325-6.3uH/K(MC)	A11	6.3	13	16	5
RD5010-6.3uH/K	A11	6.3	6	12	5
R535325-24uH/K	A1	24	6	10	19
R535325-24uH/K(MC)	A10	24	6	10	19
RD5010-24uH/K	A10	24	6	10	19
R535315-10uH/K	A29	10	9	16	5
R535315-8.9uH/K	A4	8.9	6	10	12
R1065325-12.5uH/K	A6	11.5/12.5	9	10	12
R1005510-8.5uH/K	A8	7.5/8.5	8.5	10	12
R945208-11.5uH/K	/	11/11.5	8	12	12
R483206-12uH/K	/	12	3	6	5
R404008-8uH/K	/	8	5	7	5